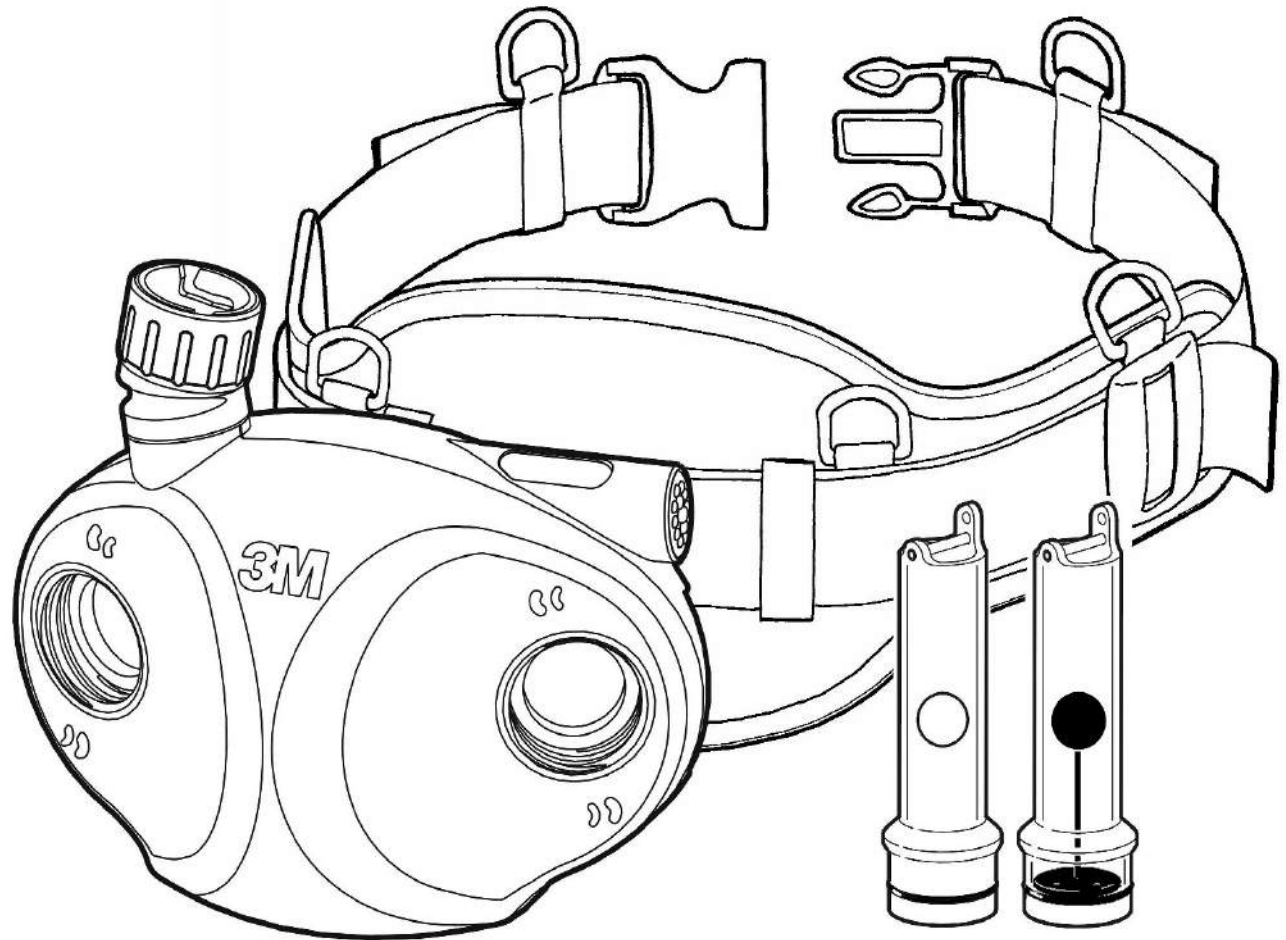


JUPITER TURBO

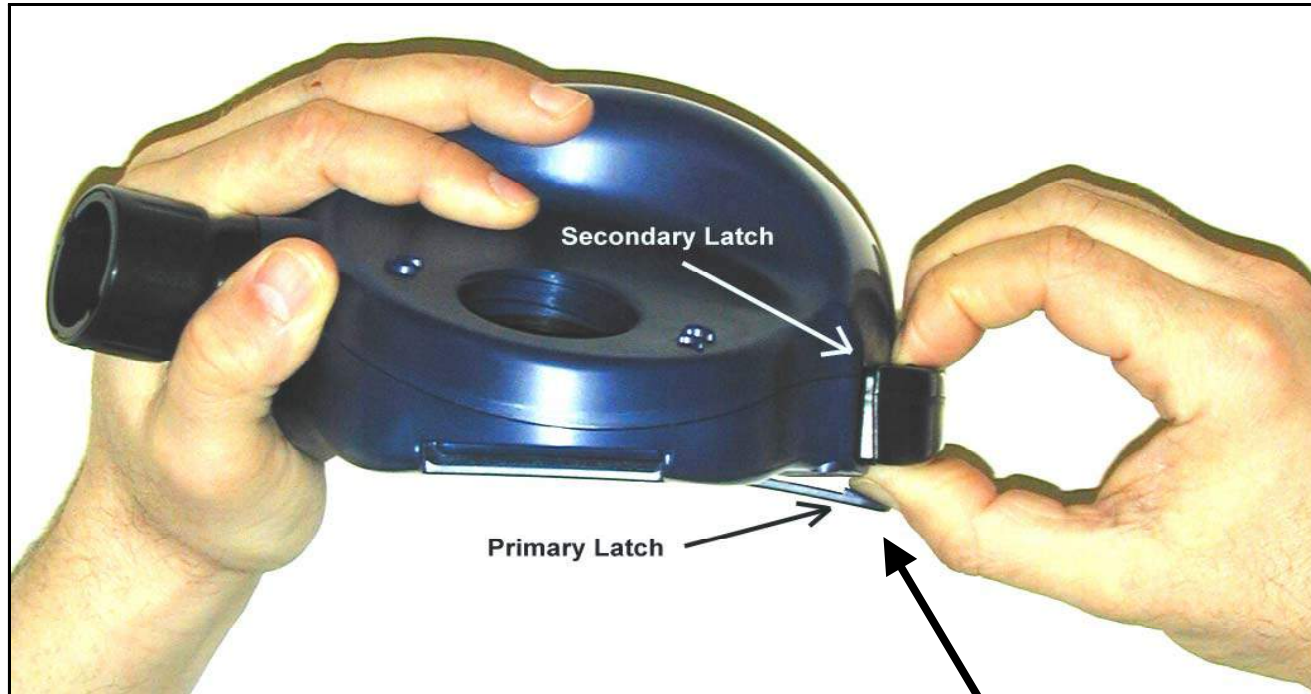
Use & Maintenance



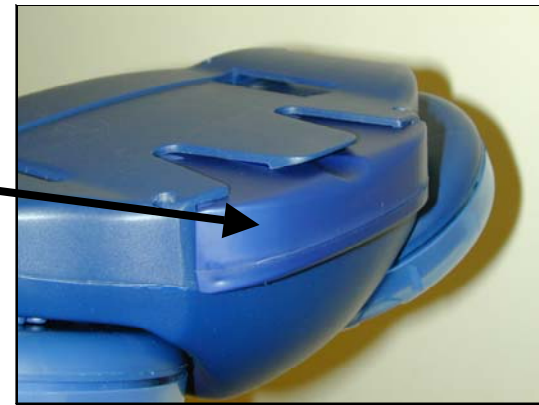
All statements, technical information and recommendations contained herein are based on data we believe to be reliable, but the accuracy or completeness thereof is not guaranteed. To the extent permitted by law, 3M shall not be liable or responsible for any loss or damage whether direct, indirect, incidental, special or consequential arising out the sale, use or misuse of 3M, OH&ES products or the user's inability to use such products.

JUPITER TURBO

BATTERY REMOVAL & INSTALLATION



Remove using fingers to release latch.
Install by pushing in until battery clicks
into position.



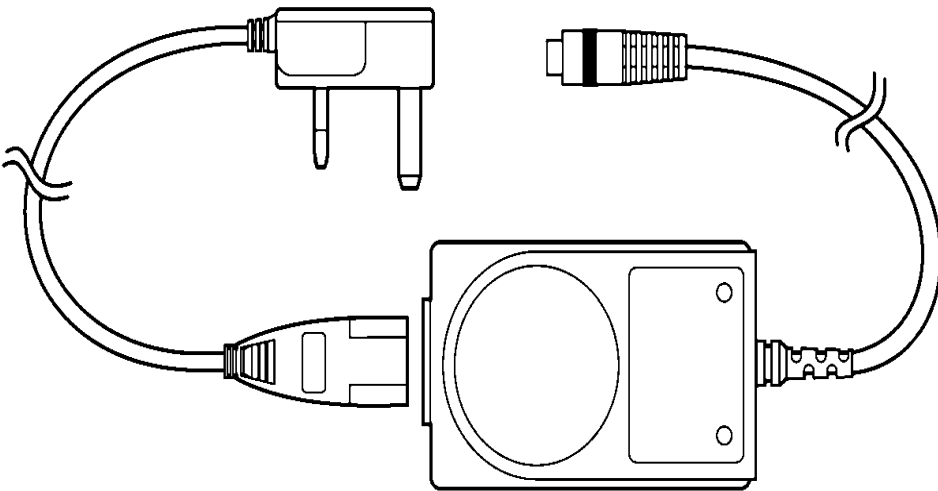
JUPITER TURBO

- NiMH Battery Charging

Charging Time: 6-8 hours from flat.

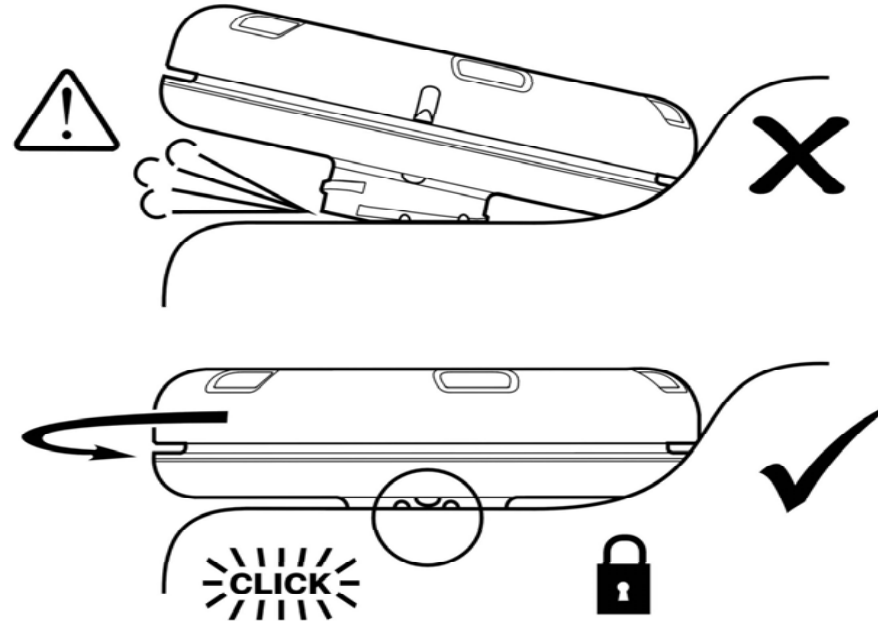
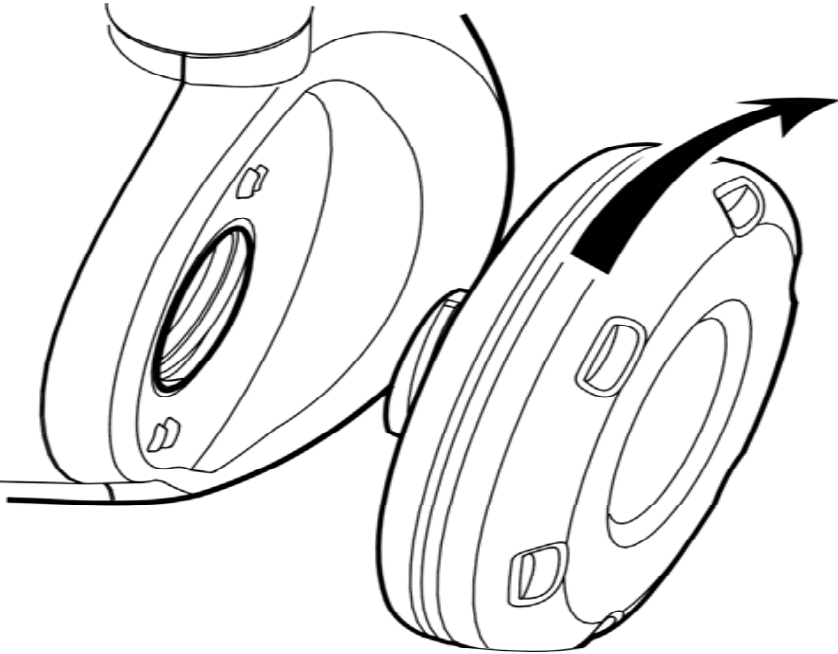
Battery packs should not be left on the charger regularly or for any period exceeding 7 days.

Without periodic charging, a NiMH battery in storage at room temperature loses approximately 10% of its charge after one week and 20% after one month.



Jupiter Battery Charger

JUPITER TURBO



**Attach filters to turbo -
Ensure threads are not crossed.**

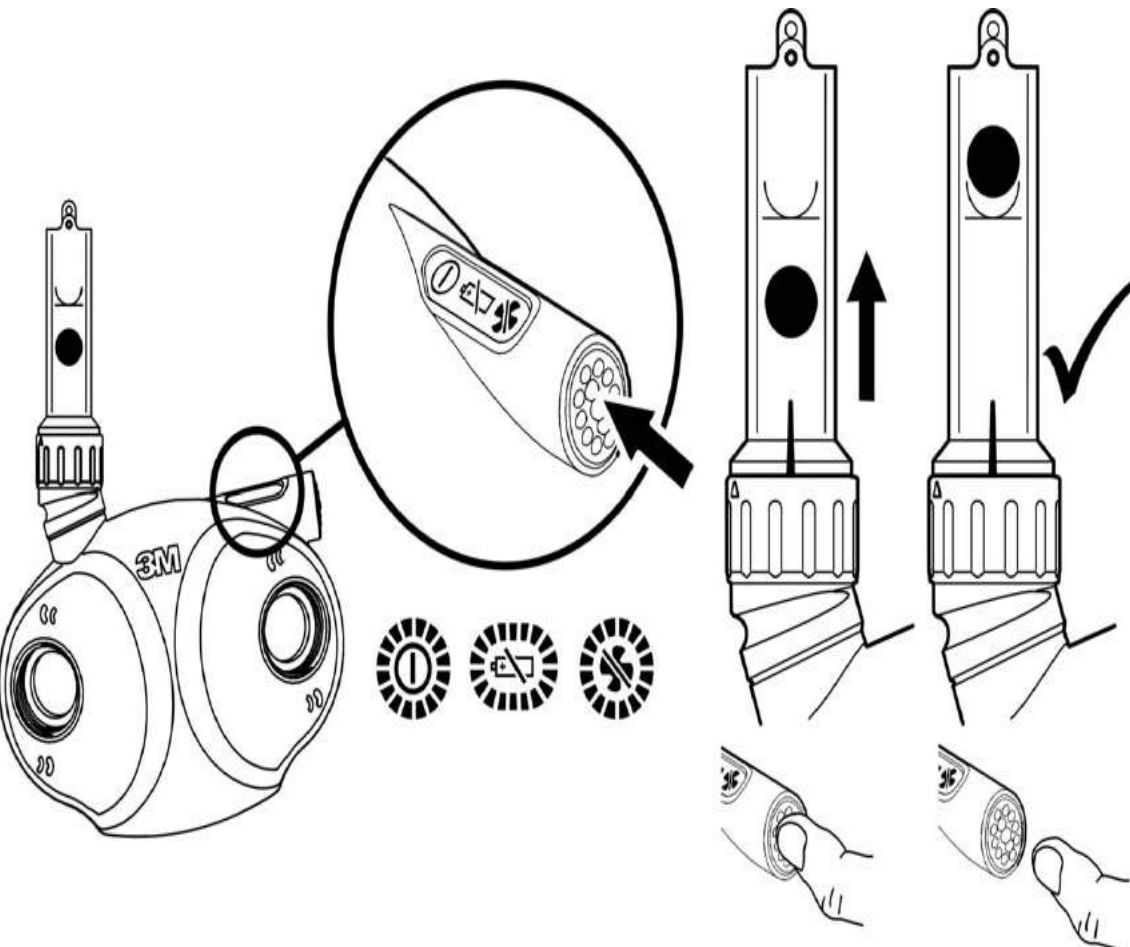
JUPITER TURBO



Install Pre-filters as shown (if required)

JUPITER TURBO

- Calibration

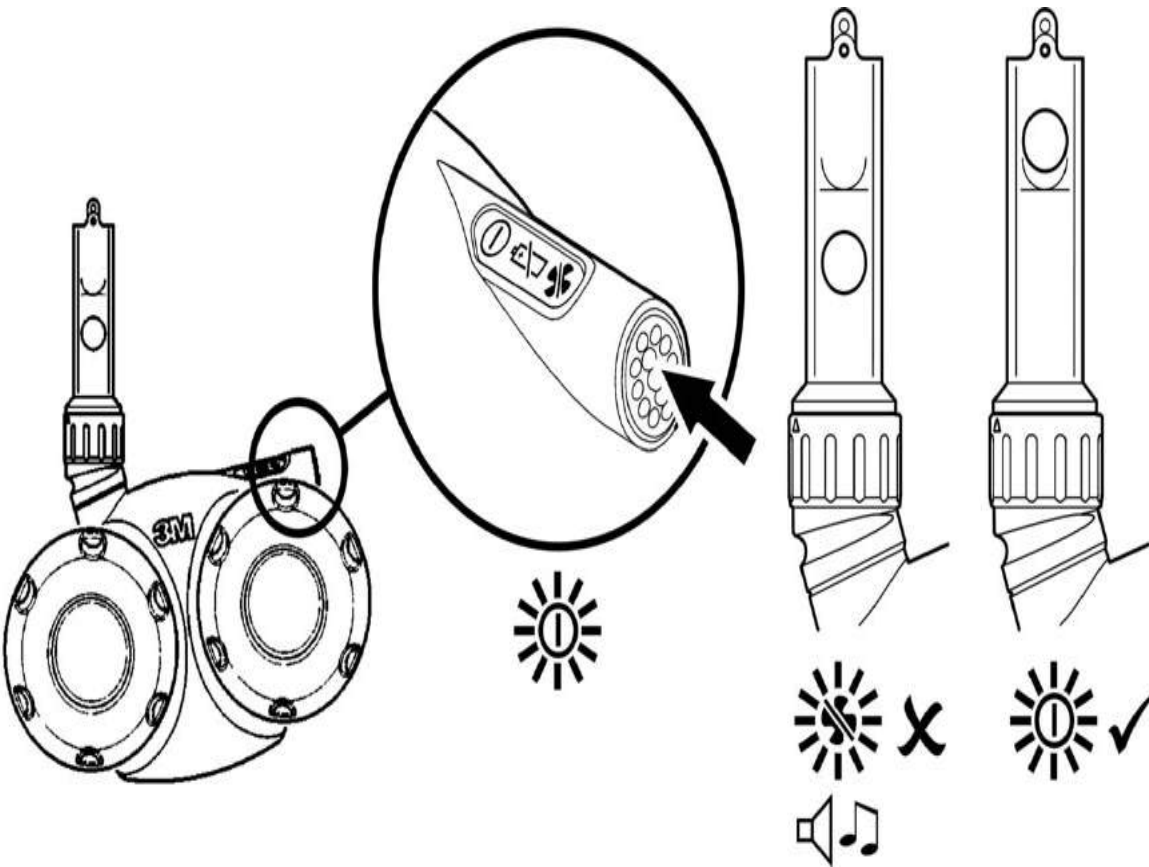


See User Instructions for full procedure.

- Perform calibration monthly or if flow alarms occur.

- Remove Filters if fitted.
- Insert Calibration Tube (Black Ball) into Turbo
- Hold turbo so tube is vertical.
- Press & hold 'On' button (3 lights on control panel will light up.)
- Hold until black ball rises in tube above mark.
- Release 'On' button.
- Remove Cal. Tube
- Re-insert filters

JUPITER TURBO - Airflow Check

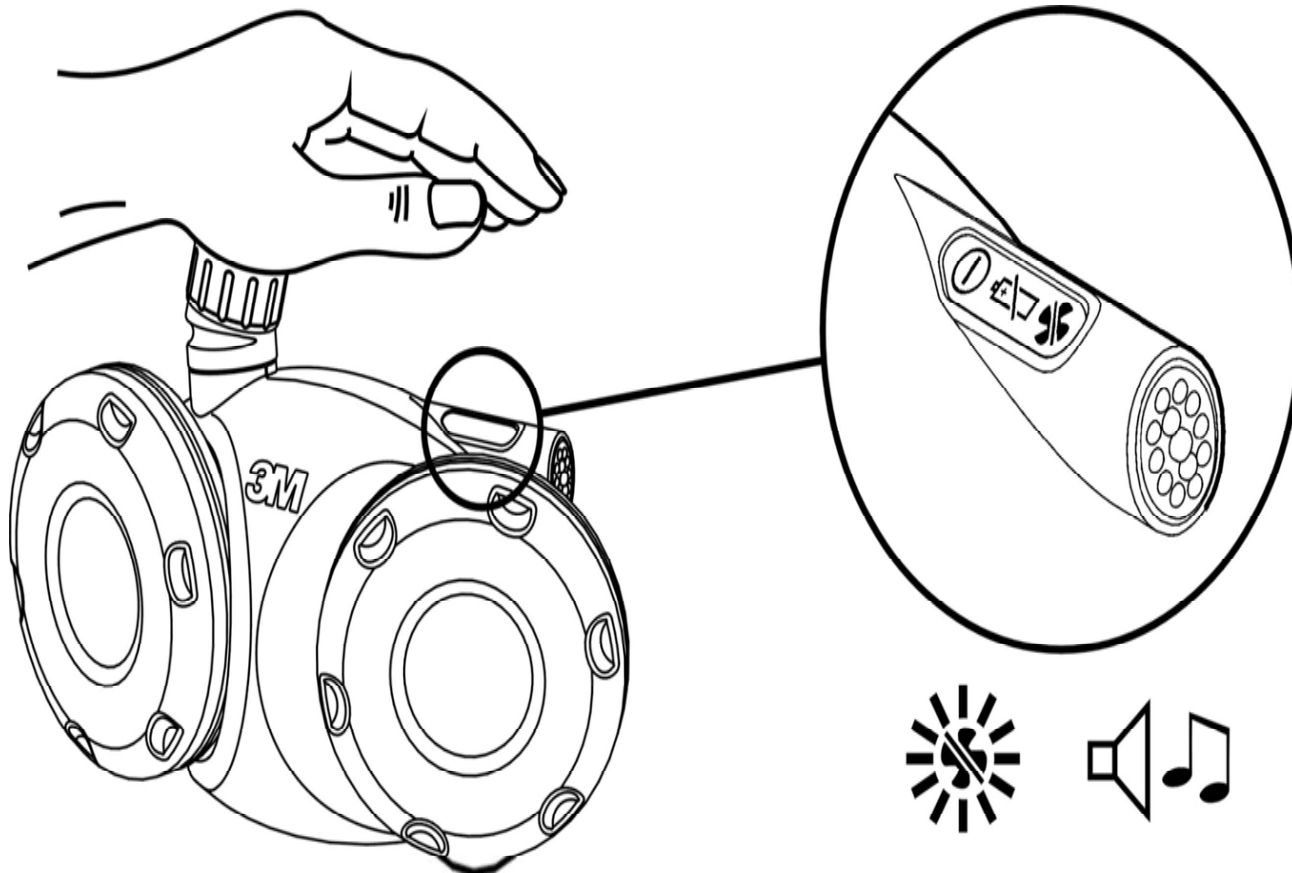


Check before each use:

- **Leave filters attached**
- **Insert Airflow Indicator Tube (White Ball)**
- **Turn Turbo on - keep tube vertical**
- **Check position of ball in tube**
- **It should be above mark**
- **If not, check battery, filters.**

JUPITER TURBO

**Check Flow Alarm by covering outlet
- wait ~10 seconds and alarm should sound.**




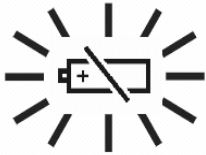







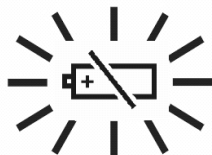






JUPITER TURBO

**Attach Breathing
Hose to
Turbo and Headtop**



JUPITER TURBO

- Warning Lights

WARNINGS	DISPLAY	SOUND	COMMENTS
LOW BATTERY	  		Charge battery
LOW FLOW	  		<ul style="list-style-type: none"> • Hose blocked – Clear • Filters blocked – replace • Calibration needed
LOW FLOW & BATTERY	  		See “Low Flow” and ‘Low Battery’ above
FLOW RECOVERY	  		Normal Operation

 = Slow Flash
  = One Short Beep
  = Long Intermittent Beep