

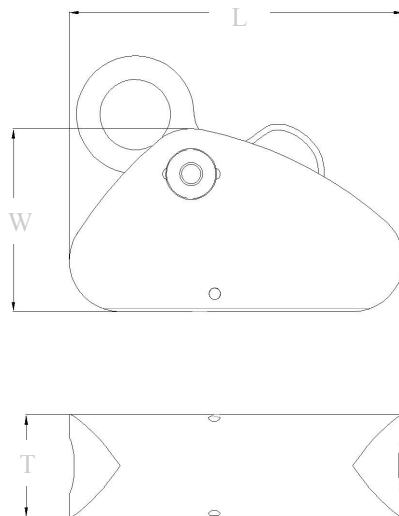
1



2

RP209 > MINI ROPE GRAB WITH PIP PIN.

ISC MANUFACTURES AN EXTENSIVE RANGE OF FALL ARREST ROPE GRABS FOR USE ON 10.5MM - 16MM DIAMETER ROPE. ALL ROPE GRABS CONFORM TO RELEVANT EUROPEAN AND ANSI STANDARDS.



DIMENSIONS >

- LENGTH > 85MM**
- WIDTH > 46MM**
- THICKNESS > 26MM**

- MATERIAL > HIGH STRENGTH ALUMINIUM**
- ROPE SIZE > 10.5- 13MM SYNTHETIC ROPE**
- MINIMUM BREAKING LOAD > DEPENDANT ON TYPE AND DIAMETER OF ROPE**
- STANDARDS > CE120 > EN353-2 (02) AND NFPA2001**
- FINISH > HARD ANODISED**
- QUALITY > 100% INSPECTED**
- WEIGHT > 184G**